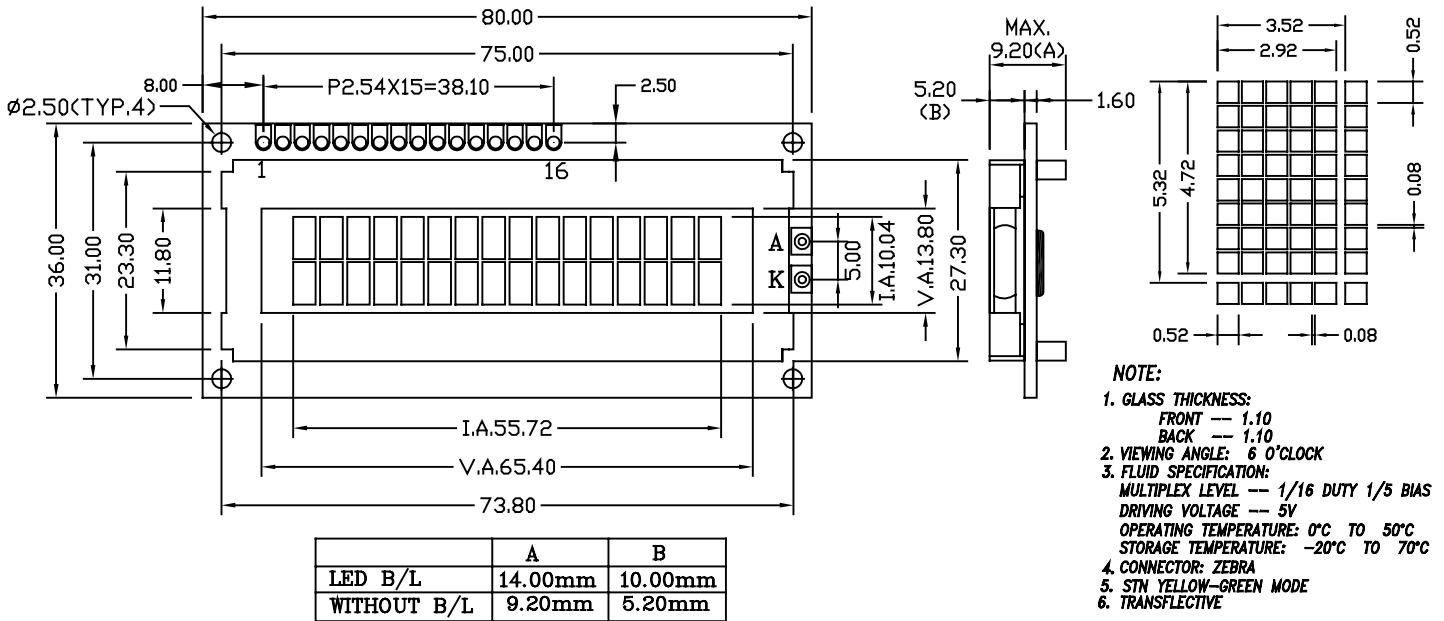


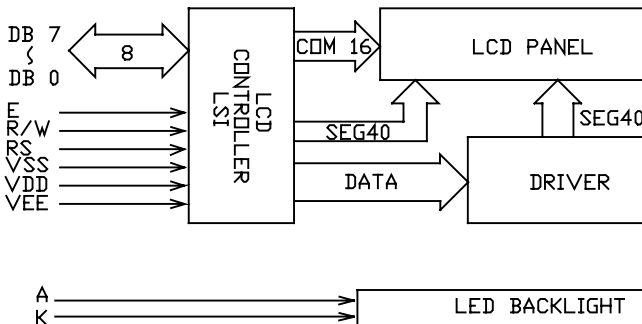
## ① EXTERNAL DIMENSION



## ② MECHANICAL DATA

ITEM	SPECIFICATION	UNIT
Module Size (W X H X T)	80.0 x 36.0 x 9.2	mm
Viewing Area (W X H)	65.4 x 13.8	mm
Number of Character	16 Character x 2 Line	Char
Dot Pitch (W X H)	0.6 x 0.6	mm
Dot Size (W X H)	0.52 x 0.52	mm
Character Pith (W X H)	3.52 x 5.32	mm
Character Size (W X H)	2.92 x 4.72	mm

## ④ BLOCK DIAGRAM



## ③ PIN CONFIGURATION

ITEM	SYMBOL	LEVEL	DESCRIPTION
1	VSS	L	Power GND
2	VDD	H	Power Positive
3	VEE	L	Voltage For LCD Panel Drive
4	RS	H/L	Register Select
5	R/W	H/L	Read/Write Select
6	E	H/L	Read/Write Enable
7	DB0	H/L	Data Bus
8	DB1	H/L	
9	DB2	H/L	
10	DB3	H/L	
11	DB4	H/L	
12	DB5	H/L	
13	DB6	H/L	
14	DB7	H/L	
15	A	H	LED BACKLIGHT +
16	K	L	LED BACKLIGHT -

## ⑤ ELECTRICAL CHARACTERISTICS(25°C)

PARAMETER	SYMBOL	MIN.	MAX.	UNIT
Supply Voltage Logic	V <sub>DD</sub>	-0.3	+7.0	V
Supply Voltage Driver	V <sub>LCD</sub>	V <sub>DD</sub> -15.0	V <sub>DD</sub> +0.3	V
Input Voltage	V <sub>IN</sub>	-0.3	V <sub>DD</sub> +0.3	V